

# TECHNICAL DATA SHEET

## QUEST

### High Neck Pillar Taps

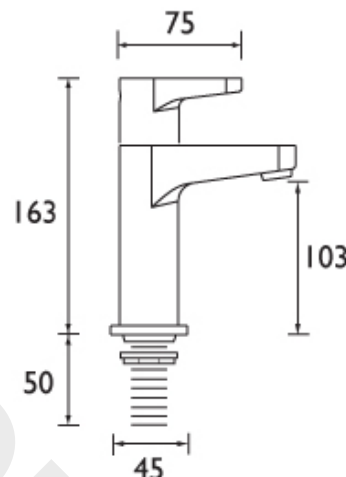
### Product Specification

Product Code:	QST HNK C
Finish:	Chrome
Product Type:	Contemporary
Construction:	Body is of Brass Construction and is designed to conform to BS EN 200
Valve Type:	¼ turn ½" Ceramic Disc Valves
Supply:	Suitable for all plumbing systems,
Inlet Connections:	½" BSP
Water Pressure:	Min 0.2 bar, Max. 8.0 bar



### Additional Information

- Supplied with metal handles
- Chrome plated to BS EN 248



### Flow Rates (litres per minute)

System Pressure	0.2bar	0.5bar	1.0bar	2.0bar	3.0bar	5.0bar
Open Outlet (Mixed)	7.33	12.48	18.16	26.06	32	41.87

**Technical Advice:** For further information please call 0844 7016273 or email [customercare@bristan.com](mailto:customercare@bristan.com)

**Guarantee:** 5 years covering manufacturing faults.



Bristan, Birch Coppice Business Park, Dordon, Tamworth, B78 1SG  
 Telephone: 0844 701 6274 Facsimile: 0844 701 6275  
 Web Site: [www.bristan.com](http://www.bristan.com) Email: [enquire@bristan.com](mailto:enquire@bristan.com)



The information contained on this page was correct at date of issue. Fitting dimensions are provided as a guide only. Some variation may occur due to manufacturing tolerances. Bristan pursues a policy of continuing improvement in design and performance of its products and so reserves the right to change specifications without prior notice.